

Radio - Sound System,

from November 2004

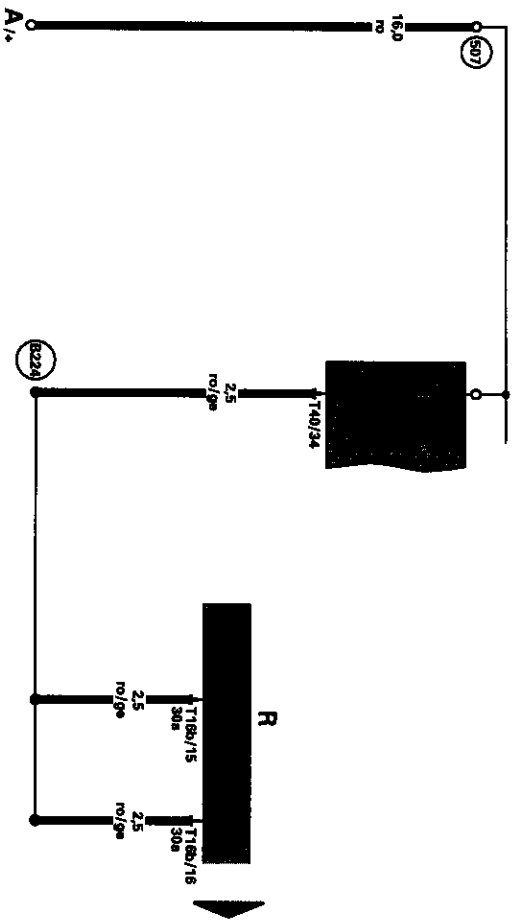
Notes:

Information for

- ◆ **Relay and Fuse arrangements**
- ◆ **Connector arrangements**
- ◆ **Control Modules and Relays**
- ◆ **Ground Connections**
- ⇒ **Component Locations**

Information for

- ◆ **Troubleshooting procedures**
- ⇒ **Guided Fault Finding using VAS 5051/5052**



Radio

- A - Battery
- J519 - Vehicle Electrical System Control Module
- R - Radio
- SB19 - Fuse 19 (in fuse panel)
- T16b - 16-Pin Connector
- T40 - 40-Pin Connector
- (507) - Threaded Connection (30) (on relay holder/battery)
- (B224) - Connection 1 (Radio) (interior wiring harness)

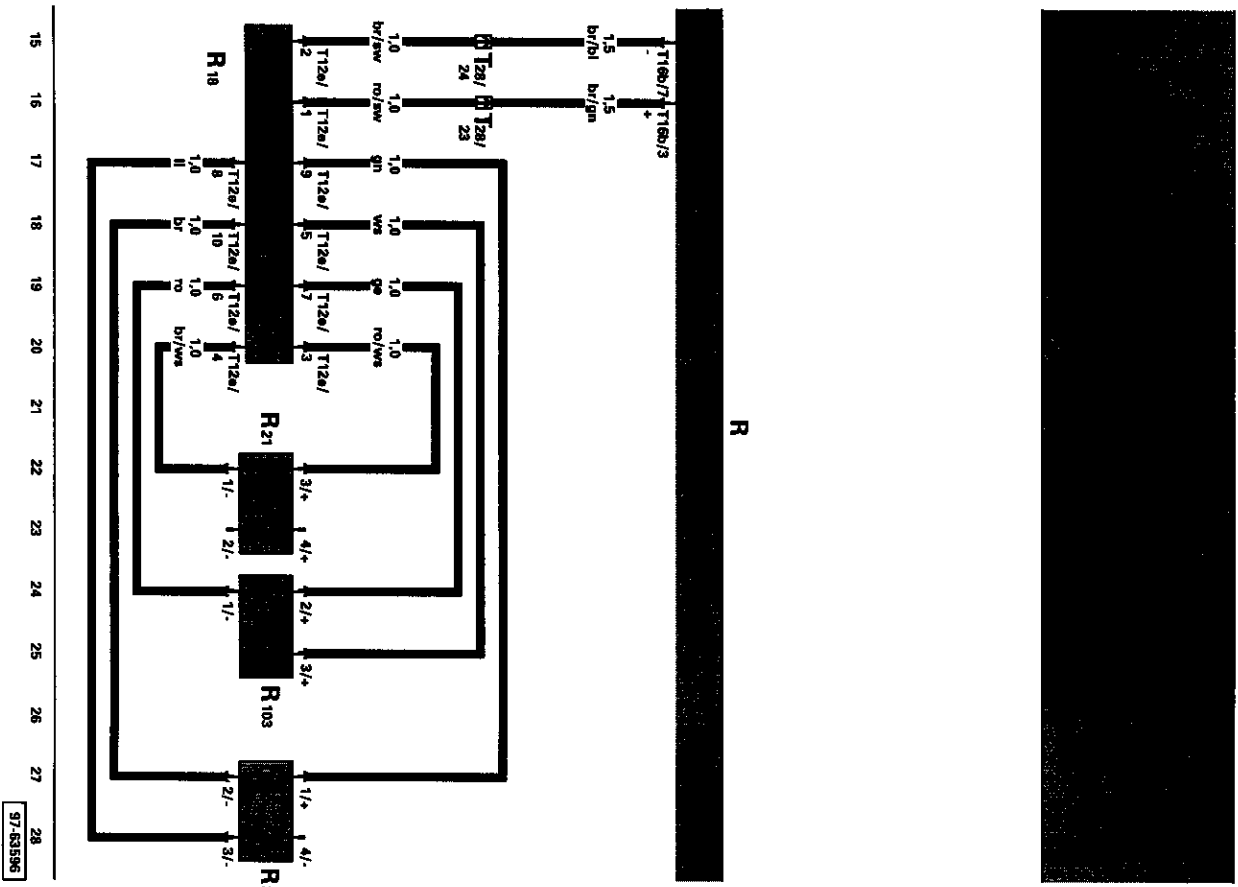
ws = white
 sw = black
 ro = red
 br = brown
 gn = green
 bl = blue
 gr = grey
 li = violet
 ge = yellow
 or = orange

1
2
3
4
5
6
7
8
9
10
11
12
13
14

97-63747

Radio, Left Frequency Crossover, Left Front Treble Speaker, Left Front Midrange Speaker

- J519 - Vehicle Electrical System Control Module
- R - Radio
- R18 - Left Frequency Crossover
- R20 - Left Front Treble Speaker
- R21 - Left Front Bass Speaker
- R103 - Left Front Midrange Speaker
- T12e - 12-Pin Connector
- T16b - 16-Pin Connector
- T28 - 28-Pin Connector

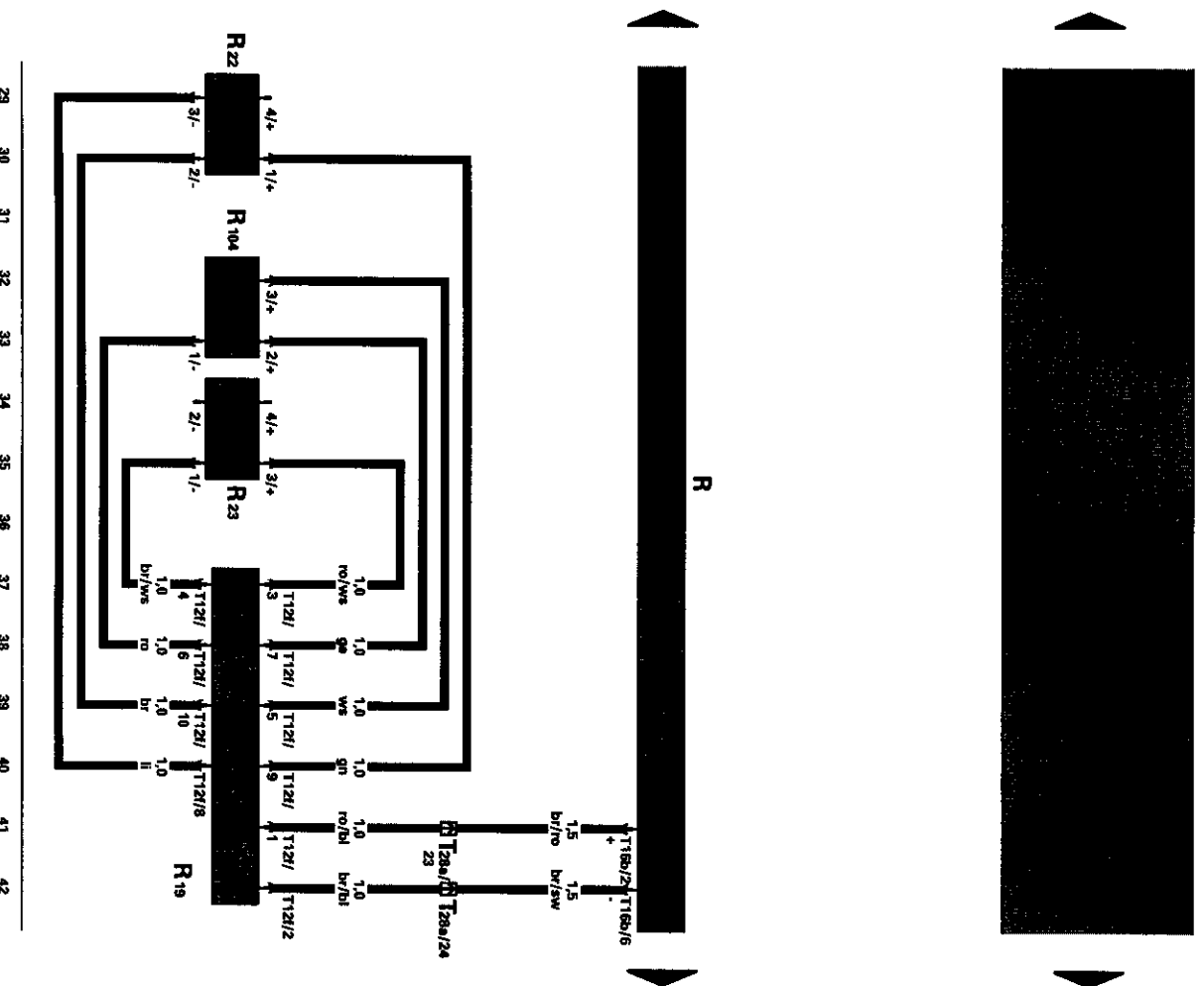


ws = white
 sw = black
 rd = red
 br = brown
 gn = green
 bl = blue
 gr = grey
 vl = violet
 yl = yellow
 or = orange

97-433596

Radio, Right Frequency Crossover, Right Front Treble Speaker, Right Front Bass Speaker, Right Front Midrange Speaker

- J519 - Vehicle Electrical System Control Module
- R - Radio
- R19 - Right Frequency Crossover
- R22 - Right Front Treble Speaker
- R23 - Right Front Bass Speaker
- R104 - Right Front Midrange Speaker
- T12f - 12-Pin Connector
- T16b - 16-Pin Connector
- T28a - 28-Pin Connector

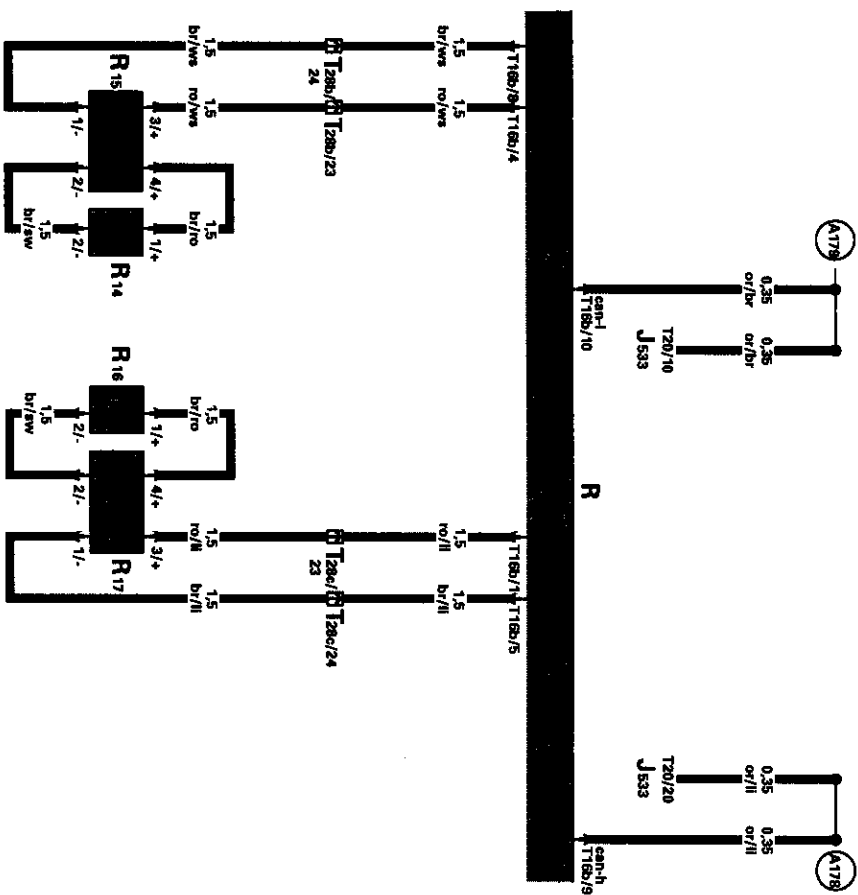


- ws = white
- sw = black
- ro = red
- br = brown
- gn = green
- bl = blue
- gr = grey
- ll = violet
- ge = yellow
- or = orange

29 30 31 32 33 34 35 36 37 38 39 40 41 42
 97-63997

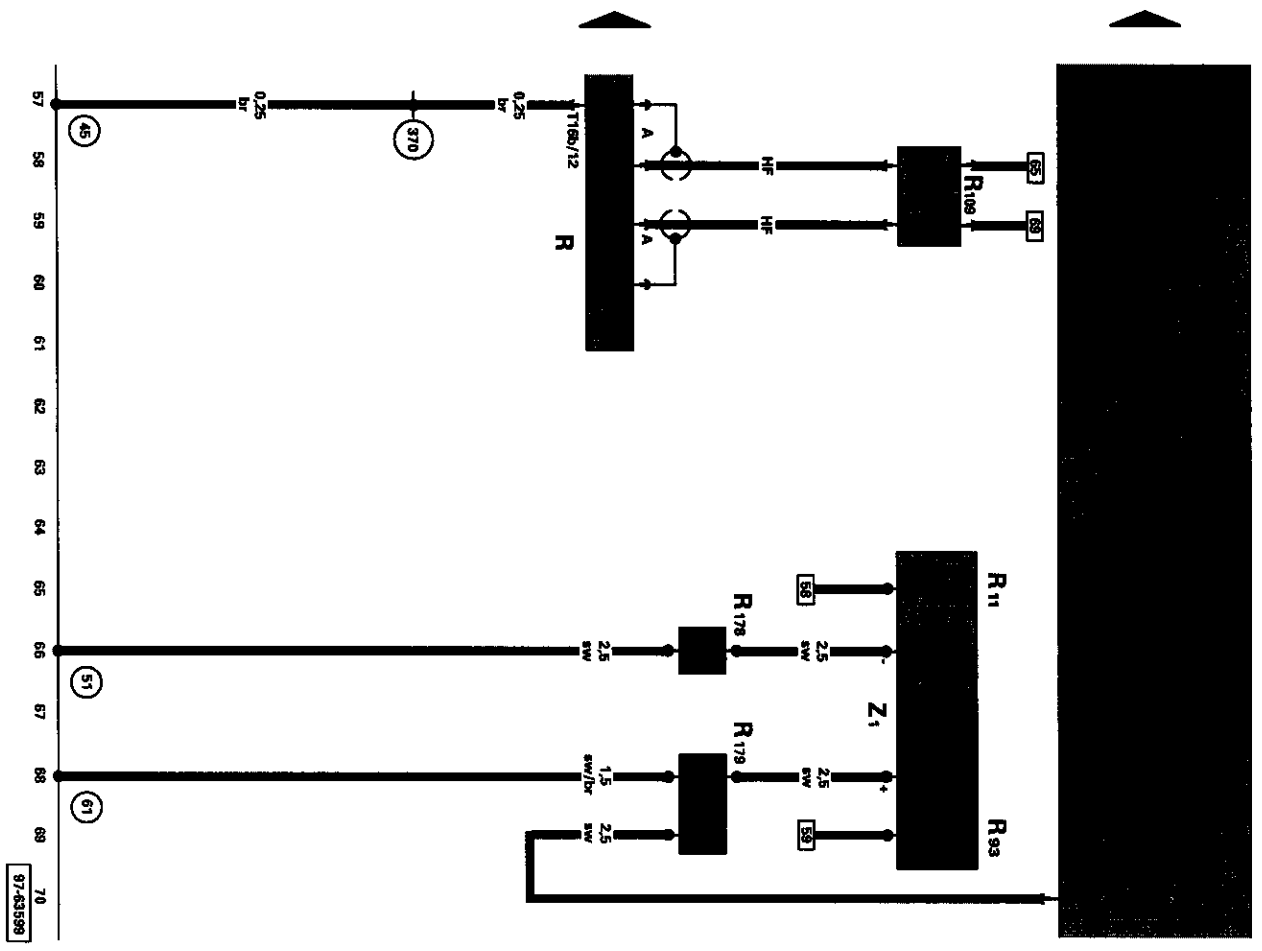
Radio, Right Rear Treble Speaker, Right Rear Bass Speaker

- J519 - Vehicle Electrical System Control Module
- J533 - Data Bus On Board Diagnostic Interface
- R - Radio
- R14 - Left Rear Treble Speaker
- R15 - Left Rear Bass Speaker
- R16 - Right Rear Treble Speaker
- R17 - Right Rear Bass Speaker
- T16b - 16-Pin Connector
- T20 - 20-Pin Connector
- T28b - 28-Pin Connector
- T28c - 28-Pin Connector
- A179 - Infotainment High-Bus Connection (in instrument panel wiring harness)
- A179 - Infotainment Lo-bus Connection (in instrument panel wiring harness)



ws = white
 sw = black
 ro = red
 br = brown
 gn = green
 bl = blue
 gr = grey
 ll = violet
 ge = yellow
 or = orange

43 44 45 46 47 48 49 50 51 52 53 54 55 56
 97-53748



Rear Window Defogger Relay, Vehicle Electrical System Control Module, Radio, Antenna 2, Right Antenna Module, FM Frequency Filter (in negative wire), FM Frequency Filter (in positive wire), Heated rear window

- J9 - Rear Window Defogger Relay
- J519 - Vehicle Electrical System Control Module
- R - Radio
- R11 - Antenna
- R93 - Radio Antenna 2
- R109 - Right Antenna Module
- R178 - FM Frequency Filter (in negative wire)
- R179 - FM Frequency Filter (in positive wire)
- T16b - 16-Pin Connector
- Z1 - Heated rear window
- 45 - Ground Connection, behind instrument panel, center
- 51 - Ground Connection, in luggage compartment, right
- 61 - Ground Connection (on left C-pillar)
- 370 - Ground Connection 5 (in main wiring harness)

ws = white
 sw = black
 ro = red
 br = brown
 gn = green
 bl = blue
 gr = grey
 vl = violet
 ge = yellow
 or = orange

97-431589