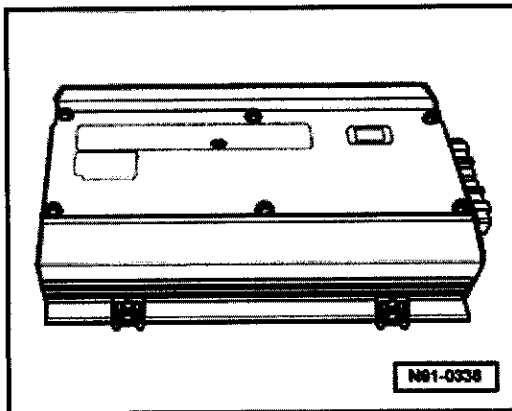


Digital Sound System Control Module



General information

Optional radio systems "Premium Sound system" and "Radio - Navigation System" use the Digital Sound System Control Module J525 to enhance sound output and quality.

The amplifier uses 8-channel technology.

The radio or radio - navigation head unit speaker output signals are used as input signals to Digital Sound System Control Module J525 .

Control module is installed under drivers seat.

Removing and installing, ⇒ 91-5, Digital Sound System Control Module J525 , removing and installing .

Before troubleshooting or servicing, technicians must be familiar with the functions and operation specifics of the standard or optional radio system or radio - navigation system where applicable. Always read the owners manual and review applicable system functions.

Note:

Additional information:

⇒ *Owners Manual*

⇒ *Self Study Program - Course Number 89103 "The 2005 new Jetta New Model Introduction"*

⇒ *Self Study Program - Course Number 873403 "The 2005 new Jetta - Electrical System"*

⇒ *Wiring Diagrams Component Locations*

Warning!

When disconnecting and reconnecting battery terminals, observe all applicable Notes and torque specifications, as well as instructions on performing OBD program and electrical system function checks as specified in

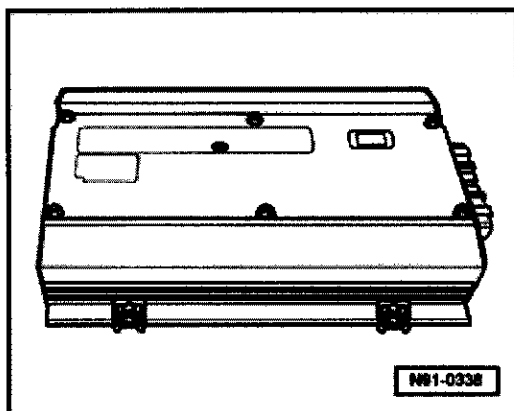
⇒ **Repair Manual, Electrical Equipment, Repair Group 27, Battery, disconnecting and reconnecting**

On Board Diagnostic (OBD), functions

Digital Sound System Control Module has On Board Diagnostic (OBD) capability. If malfunctions occur in monitored components, Diagnostic Trouble Codes (DTC) will be stored in memory.

Troubleshoot Digital Sound System Control Module malfunctions by performing OBD program using Vehicle Diagnosis, Testing and Information System VAS 5051/5052/5052 in operating mode "Guided Fault Finding" .

Digital Sound System Control Module J525 , removing and installing



Component view:

Removing:

Digital Sound System Control Module J525 is installed under drivers seat.

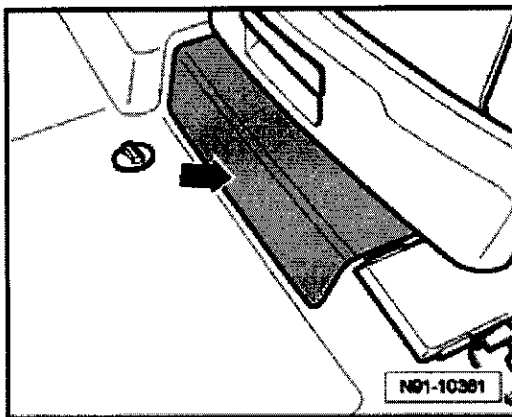
- Move drivers seat to uppermost and rearmost position.

Warning!

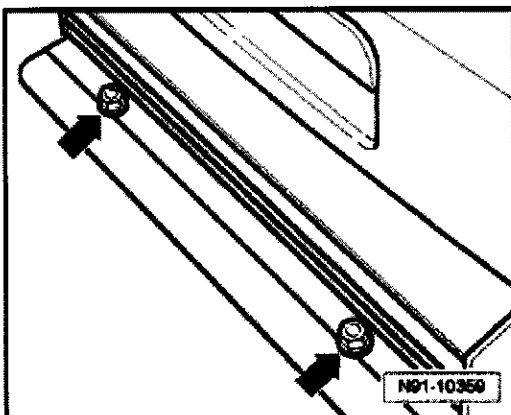
Before beginning repairs on electrical system

Switch off all electrical consumers.

Switch ignition off and remove ignition key.

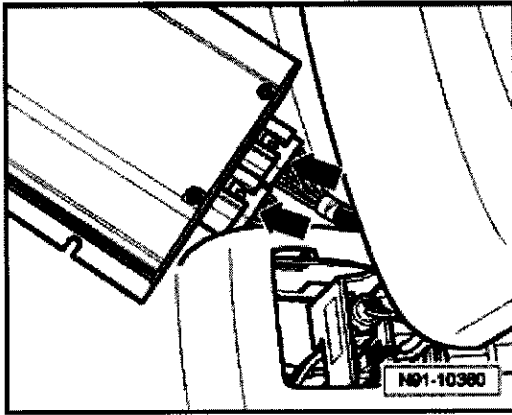


- Unclip lower seat trim - **arrow** - .



- Remove screws - **arrows** - .

- Pull control module from locating fixture under seat.
Remove far enough until electrical connections are accessible.



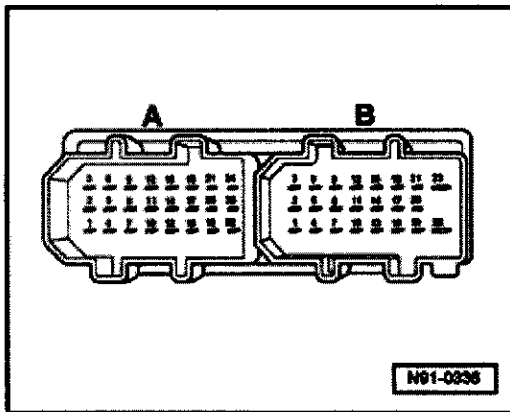
- Disengage electrical connection locks - **arrows** - and disconnect.

Installing:

Install in reverse order of removal, noting the following:

- Ensure control module engages with mounting fixture before reinstalling screws.

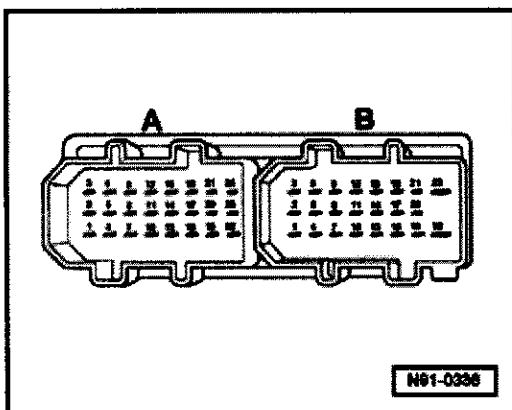
Multi-pin connector assignments



24-pin multi-pin electrical connection A

- 1 - Left rear treble loudspeaker, plus
- 2 - Right rear bass loudspeaker, minus
- 3 - Right rear bass loudspeaker, plus
- 4 - Left rear bass loudspeaker, plus
- 5 - Right rear treble loudspeaker, minus
- 6 - Right rear treble loudspeaker, plus

- 7 - Left rear treble loudspeaker, minus
- 8 - Left front bass loudspeaker, minus
- 9 - Left front bass loudspeaker, plus
- 10 - Left rear bass loudspeaker, minus
- 11 - Right front mid-range loudspeaker, minus
- 12 - Right front mid-range loudspeaker, plus
- 13 - Not assigned
- 14 - Left rear audio signal input, minus
- 15 - Left rear audio signal input, plus
- 16 - Not assigned
- 17 - Right rear audio signal input, minus
- 18 - Right rear audio signal input, plus
- 19 - Control in (optional)
- 20 - Left front audio signal input, minus
- 21 - Left front audio signal input, plus
- 22 - Not assigned
- 23 - Right front audio signal input, minus
- 24 - Right front audio signal input, plus



23-pin multi-pin electrical connection B

- 1 - CAN-Bus, minus
- 2 - Left front mid-range loudspeaker, minus
- 3 - Left front mid-range loudspeaker, plus
- 4 - CAN-Bus, plus
- 5 - Not assigned

Volkswagen Jetta 05> - Communication

- 6 - Left front treble loudspeaker, minus
- 7 - Not assigned
- 8 - Not assigned
- 9 - Left front treble loudspeaker, plus
- 10 - Not assigned
- 11 - Right front bass loudspeaker, plus
- 12 - Right front bass loudspeaker, minus
- 13 - Not assigned
- 14 - Not assigned
- 15 - Right front treble loudspeaker, plus
- 16 - Ground (Terminal 31)
- 17 - Not assigned
- 18 - Right front treble loudspeaker, minus
- 19 - Ground (Terminal 31)
- 20 - Plus connection (Terminal 30 B+)
- 21 - Plus connection (Terminal 30 B+)
- 22 - Ground (Terminal 31)
- 23 - Plus connection (Terminal 30 B+)