

## CD Changer

### General information

Optional, external CD Changer is available for use with "Radio - Navigation System" (information available at time of publication).

External CD Changer is located under foldable front arm rest.

#### **Note:**

*If the CD Changer plays commercially available CDs, but not home recorded CDs, the CD Changer is not malfunctioning. Replacement/exchange of CD Changer is not warranted for this reason.*

*Do not use CDs that contain a mix of computer and music data. Mixed data CDs cannot be played back.*

*Do not use 8 cm diameter "mini disks". Should a "mini disk" be inserted, it will not eject and CD player damage will result.*

*CD Changer does not have MP3 data capability.*

*Radio - Radio/Navigation control head must be coded in order to support CD changer functions. After installing new CD unit, input appropriate coding using adaptation function with VAS 5051/5052.*

Before troubleshooting or servicing, technicians must be familiar with the functions and operation specifics of the standard or optional radio system and CD Changer. Always read the owners manual and review applicable system functions.

#### **Note:**

*Additional information:*

⇒ *Owners Manual*

⇒ *Self Study Program - Course Number 89103 "The 2005 new Jetta New Model Introduction"*

⇒ *Self Study Program - Course Number 873403 "The 2005 new Jetta - Electrical System"*

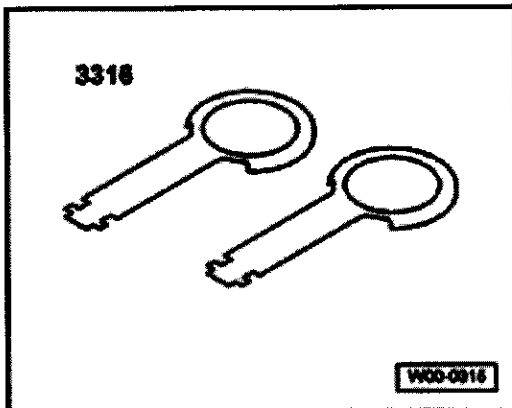
⇒ *Wiring Diagrams Component Locations*

**Warning!**

***When disconnecting and reconnecting battery terminals, observe all applicable Notes and torque specifications, as well as instructions on performing OBD program and electrical system function checks as specified in***

⇒ ***Repair Manual, Electrical Equipment, Repair Group 27, Battery, disconnecting and reconnecting***

**CD Changer R41 , removing and installing**



**Special tools, testers and auxiliary items required**

3316 Radio removal tool (two identical pieces).

**Removing:**

***Warning!***

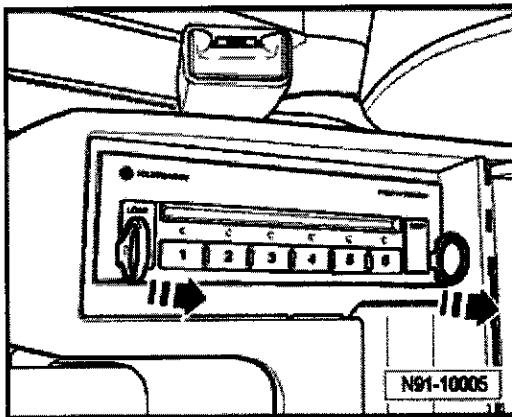
***Before beginning repairs on electrical system***

***Switch off all electrical consumers.***

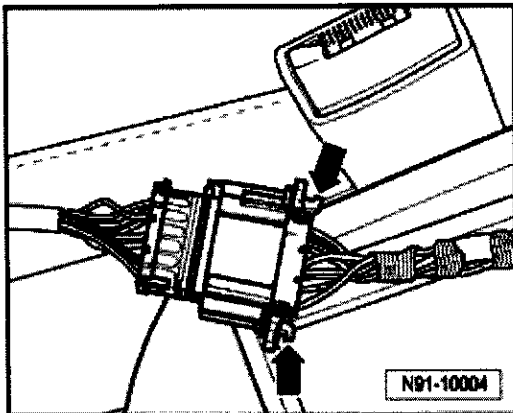
***Switch ignition off and remove ignition key.***

**Remove any CDs which may have been left in CD Changer ⇒ Owners Manual .**

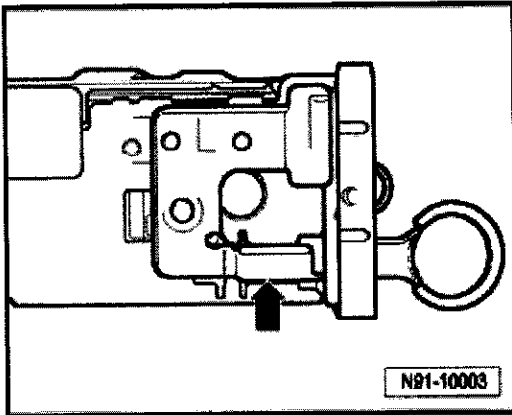
- Open center armrest completely.
- Slide and engage radio release tools 3316 into slots on CD changer as illustrated.



- Lift CD Changer out of installation frame using radio release tools - **arrows** - .



- Disengage electrical connection locks - **arrows** - and disconnect.



- Depress retaining clip - **arrow** - and remove release tools.

**Installing:**

Install in reverse order of removal.